

Industrial IoT Gateway System with Quad Core Cortex A72 Processor

KUBER-1000

- Quad core Cortex-A72 64-bit (ARM v8)
- Two Ethernet ports and Wi-Fi support for multiple network connections
- Real Time clock (RTC) for device to keep accurate time
- Support TPM hardware security .
- Support wall-mount and Din rail for industrial application



Specification

General

CPU

Quad core Cortex-A72 (ARM v8) 64-bit SoC, 1.5GHz

Memory

On Board LPDDR4 2GB (up to 8GB), 3200MT/s
Dual memory channel, 64bit, non-ECC

Mass Storage

16G Industrial micro-SD, 32G option
Other size of micro-SD by request.

Power Input

Standard: 24VDC (+/- 30%)

Operation System

Yocto, Ubuntu IoT

Security

Trusted Platform Module 2.0

Wireless Connection (optional)

2.4 GHz, 5.0 GHz IEEE 802.11 b/g/n/ac wireless
Bluetooth 5.0, BLE

Miscellaneous Feature

Real Time Clock

I/O Interface

Power Connector:

1x 2-Pin Terminal Block

Giga LAN:

2x 10/100/1000 bit Ethernet

USB:

2x USB 2.0

Display:

1x HDMI 2.0 with 3840x2160 @ 30 Hz resolution

EMC Standard

CE, FCC Compliance

Environmental and Mechanical

Operating Temperature:

0°C ~45°C with air flow

Storage Temperature:

-40 °C ~ 85 °C

Permissible Humidity

5-95% RH operating, non-condensing
5-95% RH storage, non-condensing

Vibration

1G, by DIN-Rail/ Wall mount (EN 60068-2-6)
2G Random, 5~500Hz, 1hr/axis, by wall mount (MIL-STD-810G
514.7C-V Category-4)

Shock

15G with 11ms impulse length by Wall mount (EN 60068-2-27)
40G with 11ms impulse length, half sine, 11ms (EN 60082-2-27)

Degree of Protection

IP 30

Dimension

99mm (L) x 92mm (W) x 34 mm (D)

Net Weight

0.3 Kg

Mounting

DIN-Rail / Wall Mount

Cooling

Fan-less

Optional Accessories

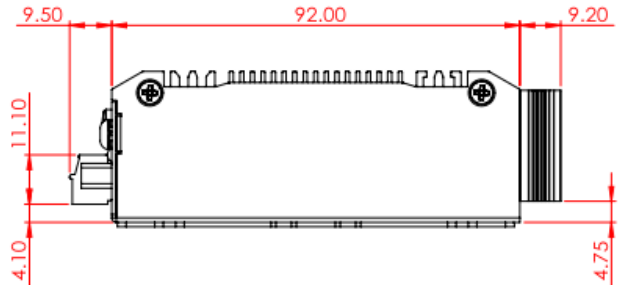
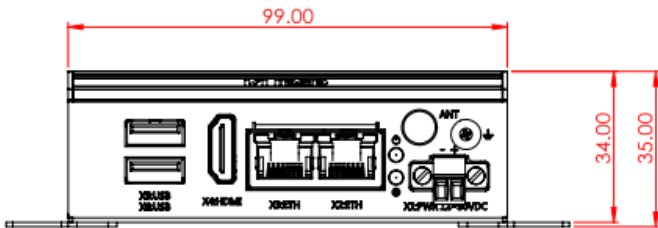
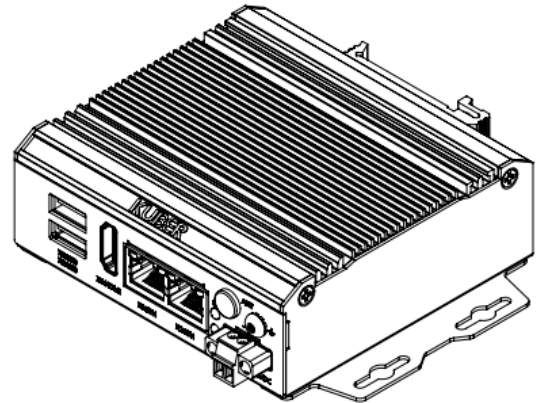
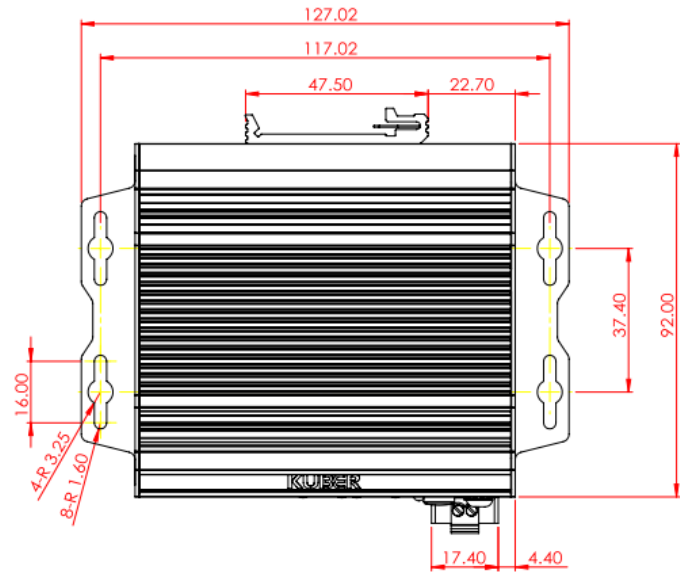
Power Adaptor

2-pin Connector, 60W, 24V/2.5A

Mounting Kit

DIN-Rail / Wall Mount

Dimension



MITWELL, Inc.
9F., No.242, Bo'ai St., Shulin Dist.,
New Taipei City 238, Taiwan
T: +886-2-7739-5566
F: +886-2-7715-0690

Portwell, Inc. Headquarters

No. 242, Bo'ai St., Shu-Lin Dist, New Taipei City
238, Taiwan
Tel: +886-2-77318888
Fax: +886-2-77319888
E-mail: info@portwell.com.tw
http://www.portwell.com.tw

Americas

American Portwell (Fremont, CA)

44200 Christy St., Fremont, CA 94538, USA
Tel: +1-510-403-3399
Fax: +1-510-403-3184
E-mail: info@portwell.com
http://www.portwell.com

Portwell Latin America (Brazil)

Av. Paulista, 1274 - 13 andar, CEP 01310-200, Sao Paulo
Tel: +55(11) 2309-3513
http://www.portwell.com.br

India

Portwell India Technology

2nd Floor, 5M-665, 5th Main Road, OMBR Layout,
Banarawadi, Bangalore -560043, India
Tel: +91-80-41664255
E-mail: info@portwell.in
http://www.portwell.in

China

Shanghai Portwell

Room 1303-1, Building 33, 258 Xinzhuang Rd
Songjiang District, Shanghai, 201612, China
Tel: +86-21-5771-2505
Fax: +86-21-6772-2965
E-mail: info@portwell.com.cn
http://www.portwell.com.cn

Beijing Portwell

4F, Building 5, Quanying Zone, Chuangye Rd. 8,
Shangdi, Haidian District Beijing 100085, China
Tel: +86-10-8270-1616
Fax: +86-10-8270-0606
E-mail: info@portwell.com.cn
http://www.portwell.com.cn

Korea

Portwell Korea, Inc.

O-BIZ Tower 1901, No.126,
Beolmal-ro, Dongan-gu, Anyang-si,
Gyeonggi-do, Korea, 431-060
Tel: +82-31-450-3043
Fax: +82-31-450-3044
E-mail: info@portwellkorea.co.kr
http://www.portwellkorea.co.kr

Europe

European Portwell

Schillingweg 3, 2153 PL
Nieuw Venneep,
The Netherlands
Tel: +31-252-620790
Fax: +31-252-621325
E-mail: info@portwell.eu
http://www.portwell.eu

Portwell Deutschland GmbH

Otto-Hahn-Str. 48, D-63303 Dreieich
Tel: +49-6103-3008-0
Fax: +49-6103-3008-199
E-mail: info@portwell.eu
http://www.portwell.de

Portwell (UK) Ltd.

Office TH2
Trident House, Trident Park Basil Hill
Road, Didcot, OX11 7HJ, UK
Tel: +44(0)1235-750760
Fax: +44(0)1235-750761
E-mail: info@portwell.co.uk
http://www.portwell.co.uk

Japan

Portwell Japan, Inc. (Tokyo)

〒112-0011 4-27-10, Sengoku, Bunkyo-ku,
Tokyo, Japan
Tel: +81-3-6902-9225
Fax: +81-3-6902-9226
E-mail: info@portwell.co.jp
http://www.portwell.co.jp

Portwell Japan, Inc. (Osaka)

〒532-0004 Ste.501 Nippo Shin-osaka Dai-2 Bldg,
1-8-33 Nishi-Miyahara, Yodogawa-ku Osaka Japan
Tel: +81-6-4807-7721
Fax: +81-6-4807-7720
E-mail: info@portwell.co.jp
http://www.portwell.co.jp

All products and company name listed are trademarks or trade names of their respective companies.
KUBER-1000_Datasheet_preliminary version V1.3 Updated by MITWELL, Inc. All Rights Reserved.
All specifications are subject to change without further notice