

Ultra-small form factor industrial PC with Intel® Apollo Lake family processor

KUBER-2110-IT

- Intel® Celeron® processors ("Apollo Lake"), up to 4 cores (optional)
- 4GB onboard LPDDR4 memory
- Supports 2 GbE, 2 USB 3.0 and 1 DP
- M.2 Key E for Wireless communication
- 32GB onboard eMMC 5.0 storage
- CE, FCC Compliance



Specifications

General

CPU

Intel® Celeron N3350, 2 cores, 1.1GHz/2.4 GHz, 6W TDP

Memory

On Board LPDDR4 up to 4GB, 2133 MT/s

Dual memory channel, 64bit, non-ECC

Mass Storage

eMMC 5.0 onboard flash 32GB up to 256 GB

Power Input

Standard: 24VDC (+/-30%)

Operation System

Windows® 10 IoT Enterprise LTSB 2016 (64bit)

Linux Yocto Warrior v2.7.1 (kernel 4.14)

Expansion

1x M.2 Key E 2230 for wireless card

Basic I/O Interface

Power Connector

1x 2-Pin Terminal Block

Giga LAN

2x 10/100/1000 GbE (Intel® i210)

USB

2x USB 3.0

Display

1x DP v1.4 4096 x 2160 @ 60Hz

EMC Standard

CE, FCC Compliance



Environmental

Storage Temperature

-40 °C ~ 85 °C

Operating Temperature

0°C ~ 40°C with airflow

Relative Humidity

5% ~ 95% (non-condensing)

Vibration

1G, with DIN-Rail (EN 60068-2-6)

810G, with Wall mount (MIL-STD-810G 514.7C-V Category-4)

Shock

Wall mount -40G (MIL-STD-810G Table 516.6B-I) 40g with 11 ms

Din Rail -15G (IEC 60068-2-27)

Mechanical

Degree of Protection

IP 30

Dimension

99mm (L) x 46mm (W) x 92 mm (D)

Net Weight

0.55 KG

Optional Accessories

Power Adaptor

2-pin Connector, 60W, 24V/2.5A

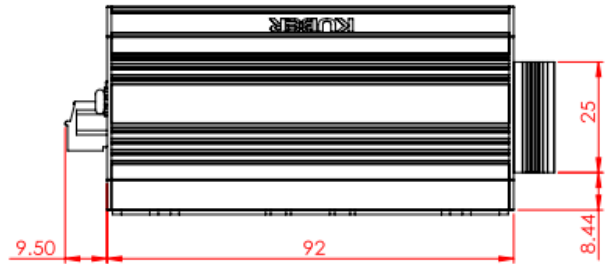
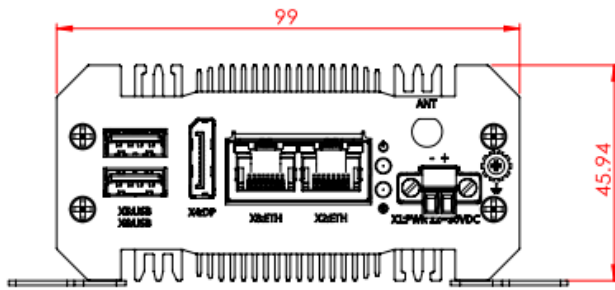
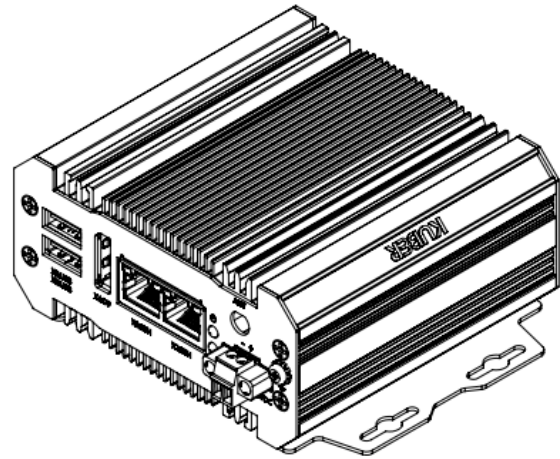
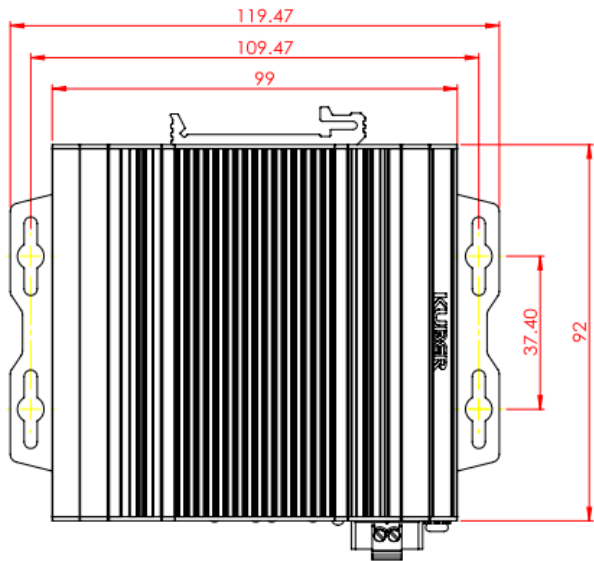
Mounting Kit

DIN-Rail / Wall Mount

Video Adaptor

DP to VGA/ DP to DVI

Dimension



MITWELL
MITWELL, Inc.
9F., No.242, Bo'ai St., Shulin Dist.,
New Taipei City 238, Taiwan
T: +886-2-7739-5566
F: +886-2-7715-0690

Portwell, Inc. (Headquarters)
No. 242, Bo'ai St., Shu-Lin Dist, New Taipei City
238, Taiwan
Tel: +886-2-77318888
Fax: +886-2-77319888
E-mail: info@portwell.com.tw
http://www.portwell.com.tw

Americas
American Portwell (Fremont, CA)
44200 Christy St., Fremont, CA 94538, USA
Tel: +1-510-403-3399
Fax: +1-510-403-3184
E-mail: info@portwell.com
http://www.portwell.com

Portwell Latin America (Brazil)
Av. Paulista, 1274 - 13 andar, CEP 01310-200, Sao Paulo
Tel: +55(11) 2309-3513
http://www.portwell.com.br

India
Portwell India Technology
2nd Floor, 5M-665, 5th Main Road, CMBR Layout,
Banaravadi, Bangalore -560043, India
Tel: +91-80-41684255
E-mail: info@portwell.in
http://www.portwell.in

China
Shanghai Portwell
Room 1303-1, Building 33, 258 Xinzhuang Rd
Songjiang District, Shanghai, 201612, China
Tel: +86-21-5771-2505
Fax: +86-21-6772-2905
E-mail: info@portwell.com.cn
http://www.portwell.com.cn

Beijing Portwell
4F, Building 5, Qunying Zone, Chuangye Rd. 8,
Shangdi, Haidian District Beijing 100085, China
Tel: +86-10-8270-1816
Fax: +86-10-8270-0806
E-mail: info@portwell.com.cn
http://www.portwell.com.cn

Korea
Portwell Korea, Inc.
O-BIZ Tower 1901, No. 126,
Beolmal-ro, Dongan-gu, Anyang-si,
Gyeonggi-do, Korea, 431-060
Tel: +82-31-450-3043
Fax: +82-31-450-3044
E-mail: info@portwellkorea.co.kr
http://www.portwellkorea.co.kr

Europe
European Portwell
Schillingweg 3, 2153 PL
Nieuw Vennep,
The Netherlands
Tel: +31-252-620790
Fax: +31-252-621325
E-mail: info@portwell.eu
http://www.portwell.eu

Portwell Deutschland GmbH
Otto-Hahn-Str. 48, D-63303 Dreieich
Tel: +49-6103-3008-0
Fax: +49-6103-3008-199
E-mail: info@portwell.eu
http://www.portwell.de

Portwell (UK) Ltd.
Office TH2
Trident House, Trident Park Basil Hill
Road, Didcot, OX11 7HJ, UK
Tel: +44(0)1235-750760
Fax: +44(0)1235-750761
E-mail: info@portwell.co.uk
http://www.portwell.co.uk

Japan
Portwell Japan, Inc. (Tokyo)
〒112-0011 4-27-10, Sengoku, Bunkyo-ku,
Tokyo, Japan
Tel: +81-3-6902-9225
Fax: +81-3-6902-9226
E-mail: info@portwell.co.jp
http://www.portwell.co.jp

Portwell Japan, Inc. (Osaka)
〒532-0004 Ste.501 Nippo Shin-osaka Dai-2 Bldg,
1-8-33 Nishi-Miyahara, Yodogawa-ku Osaka Japan
Tel: +81-6-4807-7721
Fax: +81-6-4807-7720
E-mail: info@portwell.co.jp
http://www.portwell.co.jp