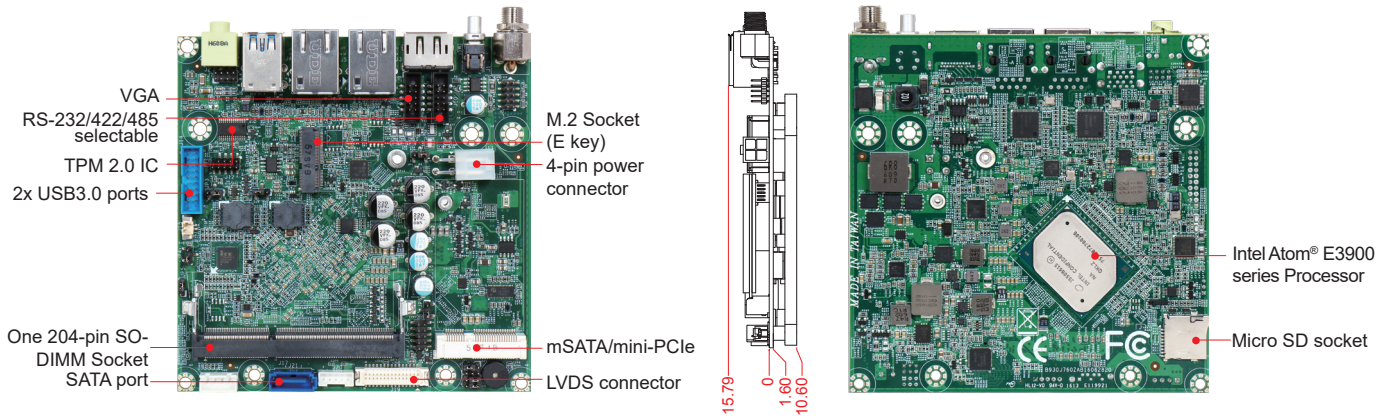


# NANO-6062

Intel Atom® Dual/Quad Core E3900 series SoC based on NANO-ITX Board with Triple Displays, GbE LAN, USB 3.0, M.2, SATA III, Mini-PCIe, and mSATA

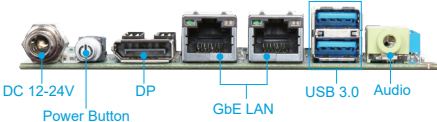


NANO-6062 build with Intel Atom® processor E3900 series. Not only does it operate with TDP under 12W for fan-less applications, but it also supports industrial temperature range from -40°C to 85°C and wide voltage of power input from 12V to 24V. Support four USB 3.0 ports ensures fast data transmission with low-power consumption. Two SATA III interfaces with up to 6 Gb/s (one of them available as mSATA and the other for SATA) allow quick and flexible system expansions. Two Intel® I210IT Gigabit Ethernet controllers provide dual Gigabit Ethernet LAN access via the two RJ45 ports. NANO-6062 can design their own unique systems for Medical, Networking, Panel PC, Kiosk and Digital Signage applications.

## FEATURES

- Intel Atom® Dual/Quad Core E3900 series SoC
- DDR3L 1866/1600 MT/s SO-DIMM up to 8GB
- Triple Display by VGA, DP, and LVDS
- M.2 socket, SATA III port, mini-PCIe, and mSATA socket
- Wide range 12V to 24V DC power input
- Support a wide -40°C to 85°C industrial temperature range

## REAR I/O



## ORDERING GUIDE

<b>AB1-3E89Z</b>	(R).NANO-6062-E3950 Nano-ITX ESB. Intel Atom® Quad Core 1.6GHz (12W). w/DDR3L SO-DIMM/ VGA/ LVDS/ DP/ Dual GbE LAN/ M.2/ SATA III
<b>AB1-3G40Z</b>	(R).NANO-6062-E3940 Nano-ITX ESB. Intel Atom® Quad Core 1.6GHz (9W). w/DDR3L SO-DIMM/ VGA/ LVDS/ DP/ Dual GbE LAN/ M.2/ SATA III
<b>AB1-3G41Z</b>	(R).NANO-6062-E3930 Nano-ITX ESB. Intel Atom® Dual Core 1.6GHz (6W). w/DDR3L SO-DIMM/ VGA/ LVDS/ DP/ Dual GbE LAN/ M.2/ SATA III

## PACKING LIST

One NANO-6062 NANO-ITX Main Board
One Passive Heat Spreader
One Installation CD

## GENERAL

Processor	- Intel Atom® Dual/Quad Core E3900 series Processor (up to 12W) - 2MB Cache
BIOS	AMI UEFI BIOS
Memory	1x DDR3L 1866/1600 MT/s SO-DIMM up to 8GB
Storage Devices	- 1x SATA III port - 1x mSATA socket (Choose either mSATA or mini-PCIe by BIOS) - 1x Micro-SD socket
Watchdog Timer	Programmable by embedded controller
Hardware Monitoring	- Temperature (CPU & System) - Voltage (CPU Vcore, 12V, 5V, 3.3V, 1.35V)
Expansion Interface	- 1x M.2 socket (E key) - 1x full size mini-PCIe socket (Choose either mSATA or mini-PCIe by BIOS)

## I/O INTERFACE

Audio	- High Definition Audio integrated in Intel® SoC - Realtek ALC892 HDA codec - Audio jack on rear I/O with Line-out and on board pin header with Line-in, Line-out, and Mic-in
Ethernet	- Dual Intel® I210IT GbE controller (E3950/ E3940 only) - Dual RJ45 connectors on rear I/O (E3950/ E3940 only) - Single Intel® I210IT GbE controller and single RJ45 (E3930 only)
Serial Port	1x RS-232/422/485 on board connector (selected by bios)
USB	- 2x USB 3.0 ports on rear I/O - 2x USB 3.0 ports on board with header
GPIO	8bit configurable controlled by embedded controller
Other	TPM 2.0 on board

## DISPLAY

Graphic Controller	- Intel® Gen 9 Graphics supports DirectX 12, OpenGL® 4.2 / OpenCL® 2.0 - Video decode HW acceleration support for H.264, H.265, MPEG2, VC-1/WMV9, JPEG, VP8, and VP9
Display Interface	- LVDS: Dual channel 24bit LVDS on board connector, up to 1920x1200 - VGA: 1x DB-15 on board connector, up to 2560x1600 - DP: 1x DP port on rear I/O, up to 4096x2160

## Mechanical & Environment

Dimension	120mm(L) x 120mm(W) ; 4.72"(L) x 4.72"(W)
Power Supply	DC 12-24V input
Environment	- Operation Temperature: -40°C~85°C - Storage Temperature: -40°C~85°C - Relative Humidity: 5%~95%, non-condensing
Certification	CE, FCC Class B
MTBF	Over 100,000 hours at 40°C

