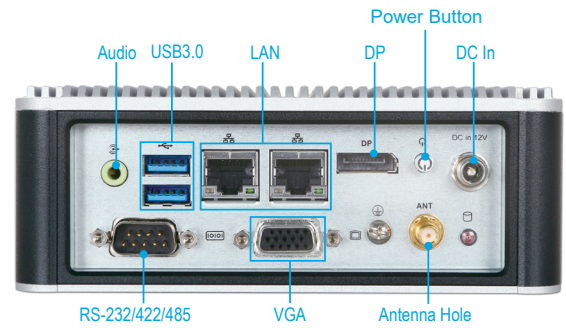
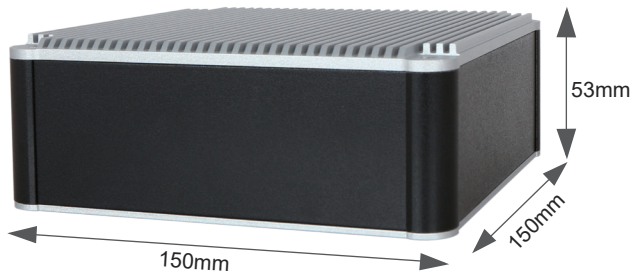


WEBS-21B0

Embedded Compact Fan-less System with Intel®
Braswell based NANO-ITX Board



The WEBS-21B0 builds on Intel® Braswell SoC and takes advantages of Intel® Pentium® /Celeron® Dual/Quad Core™ N3000 Series processor technologies, especially its vastly superior Quad-Core™ processing power and capability. The cost-effective CPU with high performance is good to use to build up a compact system, the WEBS-21B0, it supports M.2 socket (Type E) targeting IOT application.

FEATURES

- Fan-less and cable-less & small and exquisite design
- Single 204-pin SODIMM supports DDR3L up to 8GB
- Intel® Braswell SoC platform
- 1x 2.5" SATA HDD/SSD, 1x mSATA, 1x SD card
- 1x M.2 socket (Type E)
- 1x Antenna hole for WiFi module to use
- OP Vibration: 5Grms/10~500Hz
- OP Shock: 50G, 11msec
- IP40 Rating

ORDERING GUIDE

AS5-3451	(R).ATO.WEBS-21B0.NANO-ITX system.
----------	------------------------------------

System

M/B	NANO-6061
System Chipset	Intel® Braswell SoC
CPU	Intel® Pentium®/Celeron® Dual/Quad Core™ N3000 series Processor (up to 6W)
BIOS	AMI UEFI BIOS (SPI ROM)
System Memory	Single 204-pin SODIMM sockets supports DDR3L 1333/1600 MT/s SDRAM up to 8GB
Storage	1x 2.5" SATA HDD/SSD, 1x mSATA, 1x SD card
Watchdog Timer	Programmable by embedded controller
H/W Status Monitor	- Temperature (CPU & System) - Voltage (CPU Vcore, 12V, 5V, 3.3V, 1.35V)
Expansion	1x M.2 socket (Type E) with PCIe1, USB2.0, SDIO, UART, or I2C signal

External I/O

Serial Port	1x RS-232/422/485 (Selected by BIOS)
Display	1x VGA, 1x DP
USB	2x USB3.0
Audio	Line-out (ALC892)
Ethernet	2x Gigabit Ethernet (Intel® I211AT)
Other	1x Antenna hole for WiFi module

Power Supply Unit

Power Input	DC 12V
-------------	--------

Environmental

Operation Temperature	0°C ~ 55°C
Storage Temperature	-20°C ~ 85°C
Relative Humidity	95%@40°C, non-condensing
Operation Vibration	5Grms/10-500Hz, IEC 60068-2-6
Operation Shock	50G, 11 msec, IEC 60068-2-27

Mechanical

Dimension	150(W) x 150(D) x 53(H) mm; 5.9"(W) x 5.9"(D) x 2.1"(H)
Weight	1.8 Kg
Mounting	Wall, Panel, and DIN Rail mounting

