

**Media and ribbon are sold separately.**

介质和色带均单独出售。

媒體與色帶須另購。

Support papier et ruban vendus séparément.

Medium und Band werden separat verkauft.

Media dan pita dijual terpisah.

Supporto e il nastro sono venduti separatamente.

미디어와 리본은 별도로 판매됩니다.

A mídia de impressão e a fita são vendidas separadamente.

Носитель и лента продаются отдельно.

Los medios y la cinta se venden por separado.

Ortam ve şerit ayrı satılır.

**To print a test label with the printer, see the user manual.**

打印机打印测试标签，请参阅用户手册。

印表機打印測試標籤，請參閱用戶手冊。

Imprimer une étiquette de test avec l'imprimante, voir le manuel utilisateur.

Drucken Sie eine Prüfplakette mit dem Drucker finden Sie in der Bedienungsanleitung.

Untuk mencetak label tes dengan printer, lihat manual user.

Per stampare un'etichetta di prova con la stampante, consultare il manuale utente.

프린터와 테스트 라벨을 인쇄하려면, 사용자 설명서를 참조하십시오.

Para imprimir uma etiqueta de teste com a impressora, consulte o manual do usuário.

Чтобы напечатать тестовую этикетку принтер, см. руководство пользователя.

Para imprimir una etiqueta de prueba con la impresora, consulte el manual del usuario.

Yazıcı ile bir test etiketi yazdırm, kullanım kılavuzu.

**To download Windows drivers, label design software, and configuration software for your printer:**

如要下载 Windows 驱动程序、标签设计软件、配置软件或固件更新:

若要下載印表機的 Windows 驅動程式，標籤設計軟體和配置軟體:

Pour télécharger les pilotes Windows, le logiciel de conception d'étiquettes et le logiciel de configuration pour votre imprimante:

Herunterladen von Windows-Treibern, Etikettendesign- und Konfigurations-Software:

Untuk mengunduh driver Windows, perangkat lunak desain label, dan perangkat lunak konfigurasi untuk printer Anda:

Per scaricare driver Windows, software di progettazione di etichette e software di configurazione per la stampante:

Windows 드라이버, 라벨 설계 소프트웨어 및 프린터용 구성 소프트웨어를 다운로드하려면

다:

Para baixar drivers, software de criação de etiquetas, software de configuração para Windows para a sua impressora:

Для загрузки драйверов Windows, программного обеспечения для разработки

этикеток, конфигурационного программного обеспечения для своего принтера:

Para descargar controladores para Windows, software de diseño de etiquetas y software de

configuración para la impresora:

Yazıcınız için Windows sürücüleri, etiket tasarımı yazılımı ve yapılandırma yazılımını indirmek için:

honeywell.com/PSSsoftware-downloads

**Where to Find More Information**

有关详细信息

有關詳細信息

Où trouver d'autres détails

Verweise zu weiteren Informationen

Tempat Mencari Informasi Lebih Lanjut

Per ulteriori informazioni

정보를 더 발견하기 위하여 어디에

Onde obter mais informações

Где найти дополнительную информацию

Dónde encontrar más información

Daha Fazla Bilgi Nerede Bulunabilir

sps.honeywell.com

This product is protected by one or more patents. 本产品受到一项或多项专利保护。本產品受到一項或多項專利保護。Ce produit est protégé par un brevet ou plus. Dieses Produkt ist durch ein oder mehrere Patente geschützt. Produk ini dilindungi oleh satu atau lebih paten. Questo prodotto è protetto da uno o più dei seguenti brevetti. 본 제품은 하나 이상의 특허 권에 의해 보호를 받습니다. Este produto está protegido por uma ou mais patentes. Этот продукт защищен одним или несколькими патентами. Este producto esta protegido por una o varias patentes. Bu ürün bir veya birden fazla patente korunmaktadır.

www.hsmpats.com

Electrical rating. 额定电压及电流. 電子規定值. Cote électrique. Stromversorgung. Peringkat kelistrikan. Specifiche elettriche. 전기 등급. Especificações elétricas. Питание. Calificación eléctrica. Voltaj bilgileri:

24V = 2.5A

**Disclaimer**

Honeywell International Inc. ("HII") reserves the right to make changes in specifications and other information contained in this document without prior notice, and the reader should in all cases consult HII to determine whether any such changes have been made. HII makes no representation or warranties regarding the information provided in this publication. HII shall not be liable for technical or editorial errors or omissions contained herein; nor for incidental or consequential damages resulting from the furnishing, performance, or use of this material. HII disclaims all responsibility for the selection and use of software and/or hardware to achieve intended results. This document contains proprietary information that is protected by copyright. All rights are reserved. No part of this document may be photocopied, reproduced, or translated into another language without the prior written consent of HII.



PC42E-T-ML-QS-01 REV-B 09/23

# PC42E-T

## DESKTOP PRINTER



## QUICK START GUIDE

打印机快速入门指南

印表機快速入門指南

Guide de démarrage de l'imprimante haute performance

Kurzanleitung für Hochleistungsdrucker

Panduan Cepat Printer Berkemampuan Tinggi

Guida rapida per stampante ad alte prestazioni

고성능 프린터 빠른 시작 안내서

Guia de iniciação rápida da impressora de alto desempenho

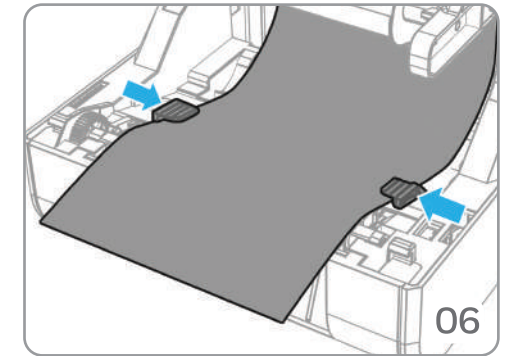
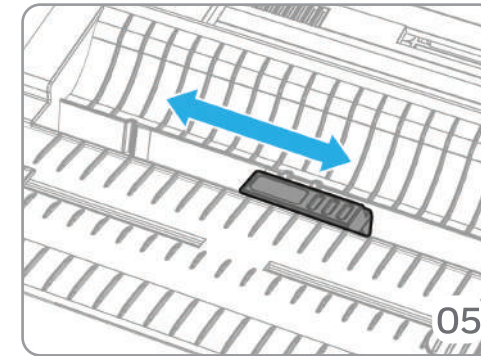
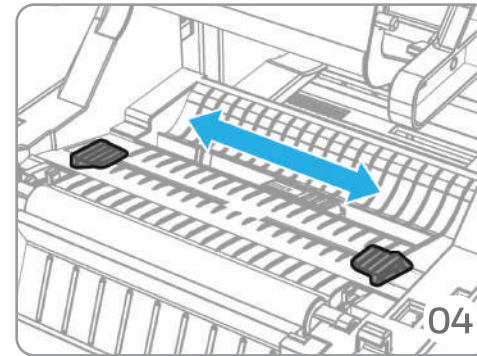
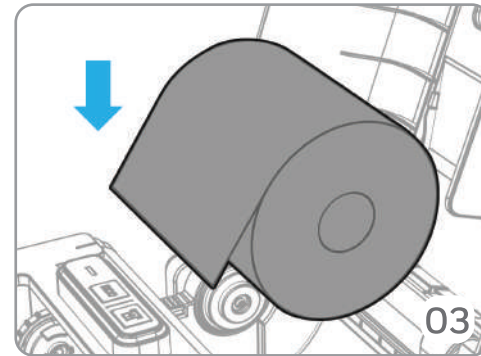
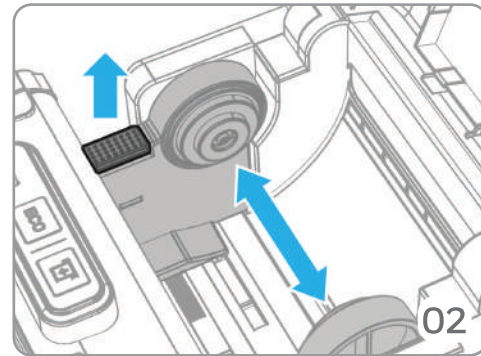
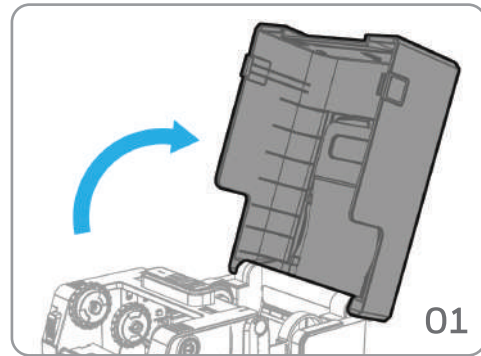
Краткое руководство по эксплуатации высокопроизводительного принтера

Guía de comienzo rápido para la impresora de alto rendimiento

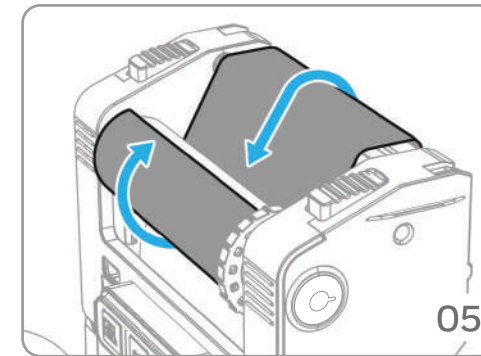
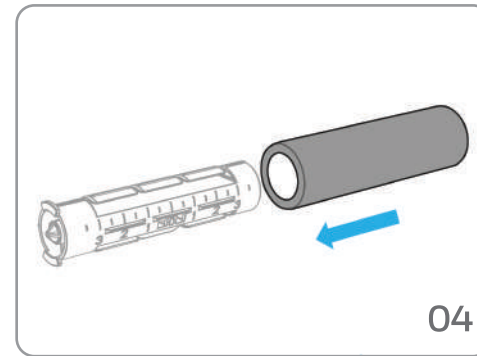
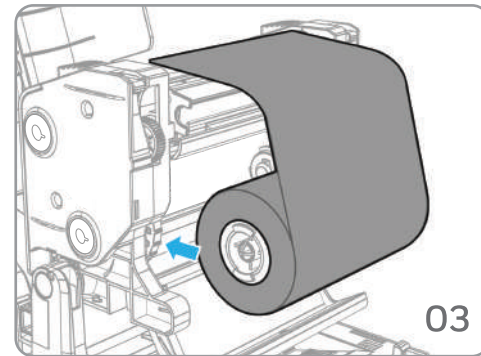
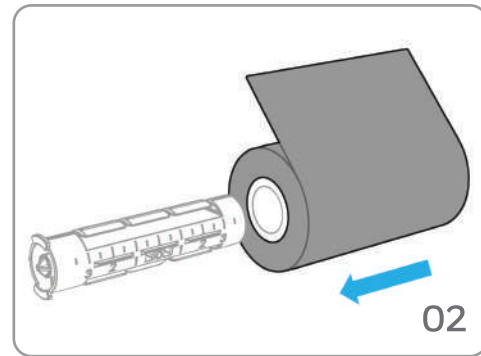
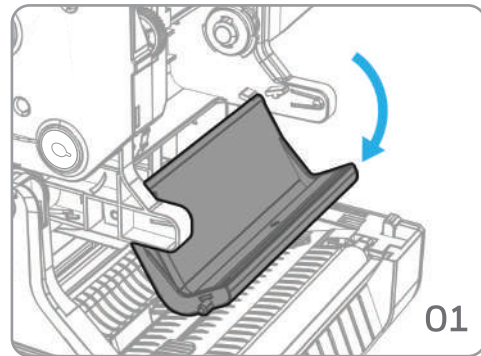
Yüksek Performanslı Yazıcı Hızlı Başlama Kılavuzu

# PC42E-T

## MEDIA LOADING



## RIBBON LOADING



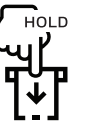
## PAUSE/CANCEL PRINTING

ON BATCH JOB MODE:

CLICK FEED BUTTON  
TO **PAUSE** PRINTING



PRESS AND HOLD  
FEED BUTTON  
TO **CANCEL** PRINTING



## SENSOR ADJUSTMENT

