

PM23c

Airline Media Guides

Installation Instructions

Intermec Technologies Corporation

Worldwide Headquarters

6001 36th Ave.W.

Everett, WA 98203

U.S.A.

www.intermec.com

The information contained herein is provided solely for the purpose of allowing customers to operate and service Intermec-manufactured equipment and is not to be released, reproduced, or used for any other purpose without written permission of Intermec Technologies Corporation.

Information and specifications contained in this document are subject to change without prior notice and do not represent a commitment on the part of Intermec Technologies Corporation.

© 2013 by Intermec Technologies Corporation. All rights reserved.

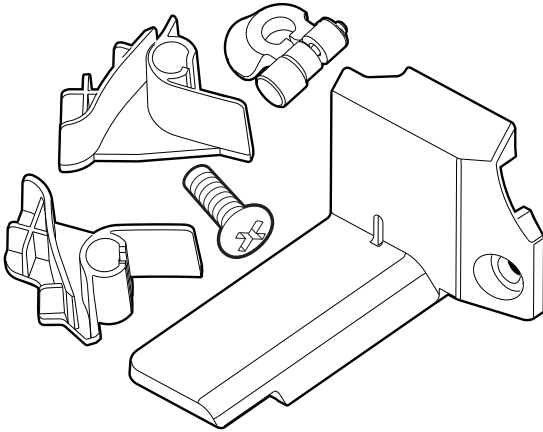
The word Intermec, the Intermec logo, Norand, ArciTech, Beverage Routebook, CrossBar, dcBrowser, Duratherm, EasyADC, EasyCoder, EasySet, Fingerprint, INCA (under license), i-gistics, Intellitag, Intellitag Gen2, JANUS, LabelShop, MobileLAN, Picolink, Ready-to-Work, RoutePower, Sabre, ScanPlus, ShopScan, Smart Mobile Computing, SmartSystems, TE 2000, Trakker Antares, and Vista Powered are either trademarks or registered trademarks of Intermec Technologies Corporation.

There are U.S. and foreign patents as well as U.S. and foreign patents pending.

Install the Airline Media Guides

Use these instructions to install the airline media guides in Intermecc PM23c printers.

You will find these items in the shipping box:



You will need the following tools to install the airline media guides:

- Small slotted screwdriver
- Phillips screwdriver
- (Optional) E-clip remover



Warning

The airline media guides must only be installed by an authorized service technician.



Follow ESD
Procedures

Follow standard ESD guidelines to avoid damaging the equipment you are servicing.

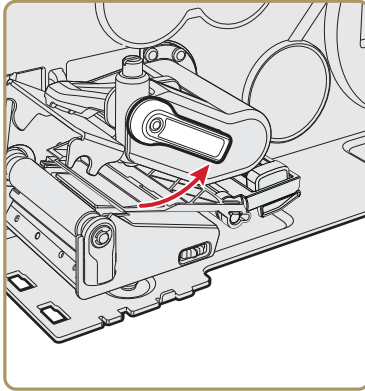


Caution

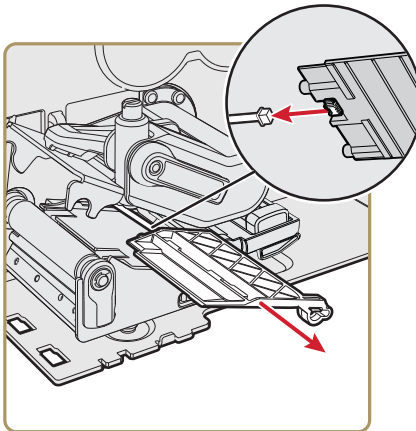
Before you begin, turn off the printer and disconnect the power cord and communication cables.

To install the airline media guides

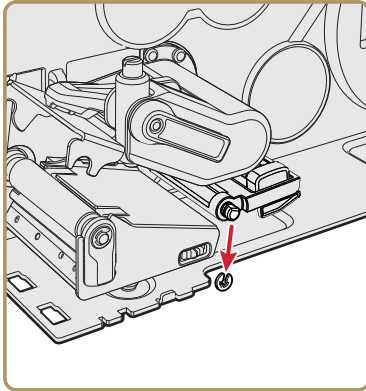
- 1 Open the media cover.
- 2 Turn the printhead lift lever counterclockwise to raise the printhead.



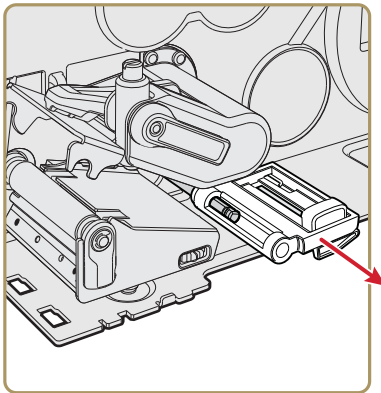
- 3 Use a small slotted screwdriver to gently pry the upper media guide loose from the media post. Gently pull the upper media guide away from the printer until you can easily reach the label gap sensor cable.



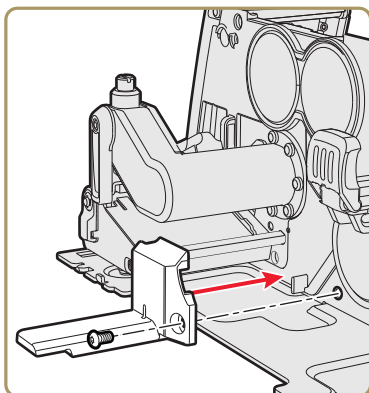
- 4 Carefully disconnect the gap sensor cable from the end of the upper media guide and remove the upper media guide from the printer.
- 5 Use an e-clip remover or a small slotted screwdriver to remove the e-clip that secures the dancer to the media post.



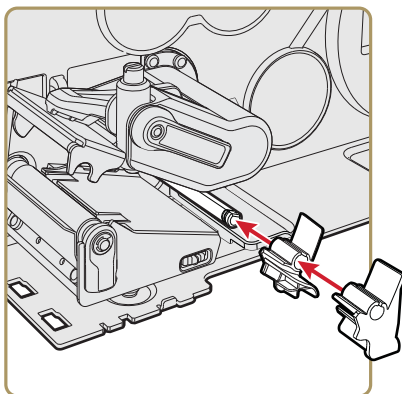
- 6 Remove the dancer and the spring from the printer.



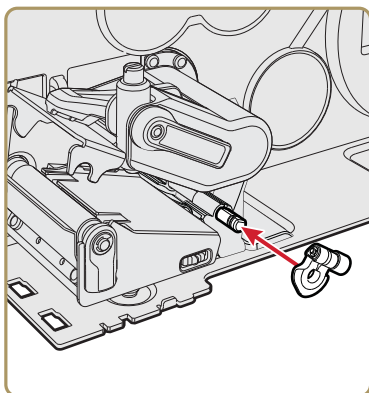
- 7** Insert the media path bracket into the printer and attach it to the frame with the Phillips screw.



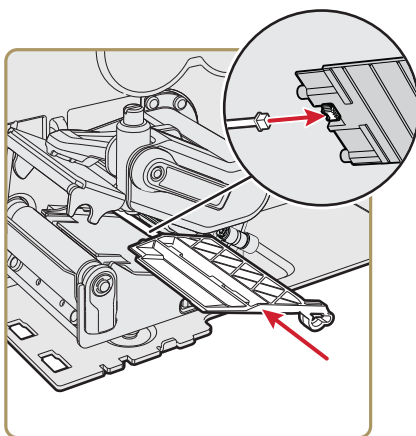
- 8** Slide the airline media guides onto the media guide post with the flat side of each guide facing away from the media path.



- 9** Slide the airline media guide retainer onto the media guide post and secure it in place with the thumbscrew. Make sure it fits securely against the airline media guide closest to the outside of the printer.

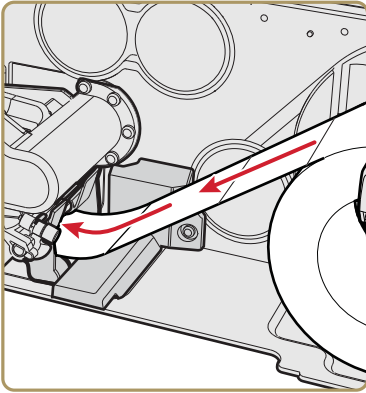


- 10** Partially insert the upper media guide into the printer and reconnect the gap sensor cable to the end of the upper media guide.



- 11** Insert the upper media guide all of the way back into the printer. Make sure the plastic pins on the end of the upper media guide fit into the holes in the printer frame and that the end of the upper media guide fits securely over the end of the media post.

12 Route boarding pass media through the airline media guides.



13 Make sure that the guides are adjusted correctly for the width of the media.

14 Close the media cover.



Worldwide Headquarters
6001 36th Avenue West
Everett, Washington 98203
U.S.A.

tel 425.348.2600

fax 425.355.9551

www.intermec.com

© 2013 Intermec Technologies
Corporation. All rights reserved.



PM23c Airline Media Guides Installation Instructions



P/N 931-119-002